

# A-776-3 WATERFALL TUB FAUCET

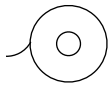
## BEFORE YOU BEGIN:

We recommend consulting a professional if you are unfamiliar with installing plumbing fixtures. We accept no liability for any damage to the faucet, plumbing, sink, counter top, to personal injury during the installation.

## CAUTION:

Always turn water OFF before removing existing or disassembling the faucet., Open faucet handles to relieve water pressure and insure that complete water shut-off has been accomplished.

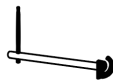
## HELPFUL TOOLS:



Teflon Tape



Adjustable Wrench



Basin Wrench

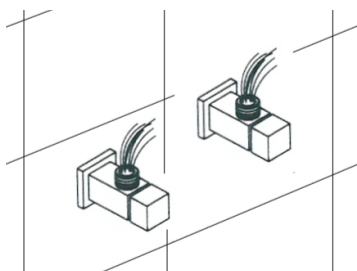
---

## NOTICE:

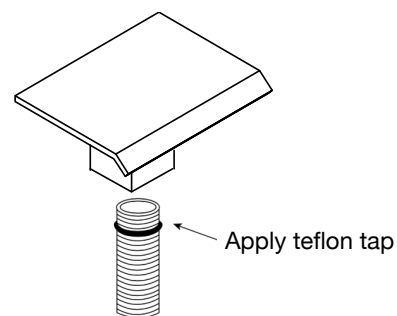
1. In standard installations, locate the valve bodies 100mm to 120mm from the spout center. The valve body may be installed anywhere on the deck. Adjust the dimensions as needed.
2. Do not exceed 35mm hole diameters for the spout and valve body mounting holes.

## INSTALLATION:

1. Flush hot and cold water supply lines to remove any debris that has accumulated in the supply lines that could damage the faucet.



2. Apply teflon tape to the threading of the spout shank, on the end containing the rubber O-ring. Insert the shank into the spout and secure it by hand tightening.

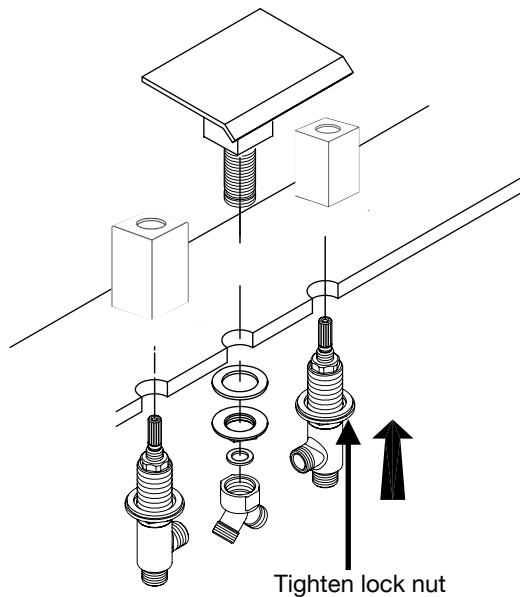


## A-776-3 WATERFALL TUB FAUCET

3. Set the spout into the center faucet hole. Attach the Y-connector to the end of the spout shank by hand tightening. Apply teflon tap to the threading before attaching.

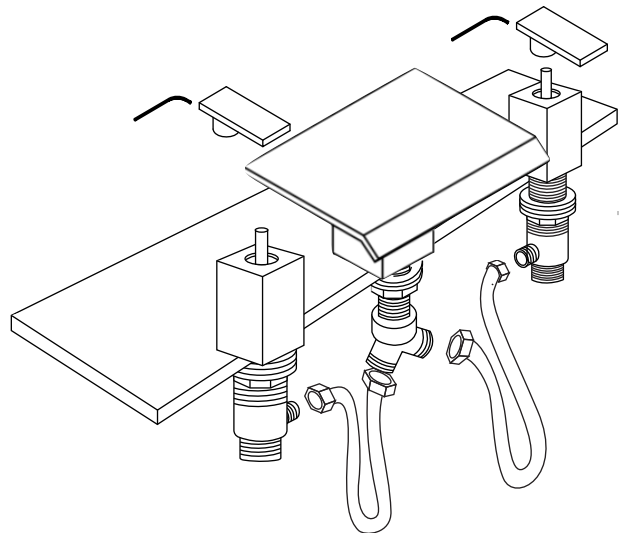
4. The faucet's valve stems are labeled the color of their rubber gasket. Blue for cold and red for hot. Remove the handle base from the valve stem to prepare for the install. Then enter the valve stem into the right and left side faucet hole. Reattach the handle base from above the countertop by tightening until approximately 3/4 of the stem is exposed from the top.

5. Hand tighten the lock nut on the valve stem until secure. Ensure the outlet on the side of the valve stem is facing the spout's Y-connector.



6. Connect provided water line to hot and cold valve stems to the Y-connector. Apply teflon tap to each threaded connection before attaching. Then Use an adjustable wrench to tighten.

7. Attach the handles to the valve stems by tightening the set screws on the back of each handle. Use the provided hex wrench for tightening.



8. When installation is complete, turn the main water supply on to check for any leaks underneath. Then turn the faucet on for around 60 sec. to allow any dust or loose sediment to exit the water lines. Test hot and cold water to ensure that run properly.